

Take advantage of over 30 years experience in Screening and Process Technology

Vibrating Tumbler Screener KTS-V

This screening machine is suitable for all types of dry and wet screening.



Standard

KTS-V 450 – 800

Options



Height adjustable support
(up to KTS-V 800)



Mobile support
(up to KTS-V 800)



Anti blinding system
Rubber balls



Anti blinding system
Ultrasonic

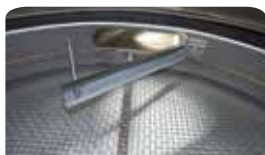


Screen frames with
twin-clamp rings for easy
re-meshing on-site

KTS-V 900 – 1500



Anti blinding system
Plastic rings



Product contact parts in
stainless steel 1.4301



ATEX
certified



Your main benefits include ...

- Modular, self-centering, expandable design
- Delivered ready to operate and optimized for each product (Plug & Play)
- Up to 100% availability in 24 h operation
- Up to 4 simultaneous separations on each machine
- 100% dustproof and CE compliant
- Low installation height due to reduced height of intermediate rings
- Easy disassembly and cleaning of all parts
- Robust and lightweight modular design
- Low maintenance
- Very competitively priced with short delivery times

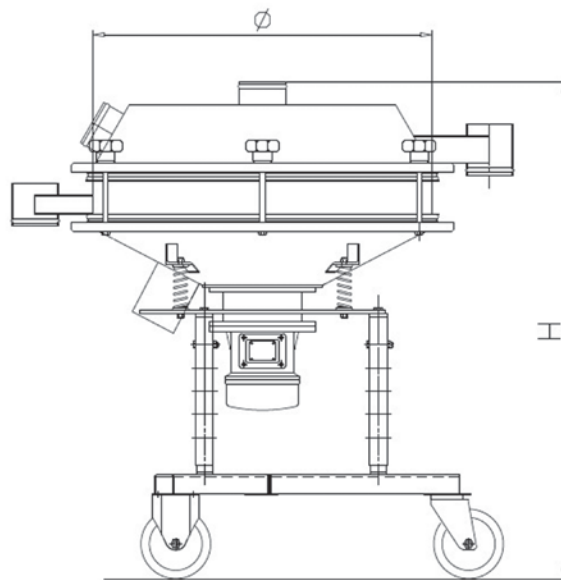
Presented in the Americas by

kemutec
Specialists in Powder Processing Technology

Datasheet

Particle feed sizes:	1 µm – 20 mm
Feed rates:	1 kg/h – 10.000 kg/h
Bulk densities:	200 – 10.000 g/l
Mesh openings:	20 µm – 20 mm
Screens usable:	Stainless steel or plastic wire mesh fabric, perforated plates
No. of screen decks:	1 – 3 per machine
Anti blinding systems:	Rubber balls , plastic rings, Ultrasonic or combinations
Speed range:	1.500 / 3.000 (1.800 / 3.600) min ⁻¹ at 50 (60) Hz
Screen movement:	high frequency, three-dimensional, set to product and capacity
Acceleration/ Amplitude:	3 – 6 g / 3 – 6 mm
Materials:	Stainless steel, special steels, Rubber materials FDA compliant
Surfaces:	ceramic blasted (inside and outside)

Dimensions



Model sizes KTS-V	450	600	800	900	1200	1500
Screening area (m ²)	0.11	0.27	0.42	0.6	0.93	1.45
Diameter (mm) Ø	455	670	825	1010	1225	1555
Motor power (kW)	0.19	0.42	0.42	1.20	1.20	2.75
Weight (kg)	30–40	70–85	90–105	150–200	220–250	450–520
1 Deck (Height mm) H	775–1180*	935–1340*	965–1165*	830	855	1080
2 Decks (Height mm) H	885–1255*	1040–1410*	1075–1275*	955	1045	1235
3 Decks (Height mm) H	995–1330*	1160–1495*	1185–1385*	1150	1180	1390

* Height adjustable and mobile

Presented in the Americas by



130 Wharton Road • Bristol, PA 19007 USA

Tel: 215 788-8013 • Fax: 215 788-5113

Email: Sales@KemetecUSA.com • Web: www.KemetecUSA.com