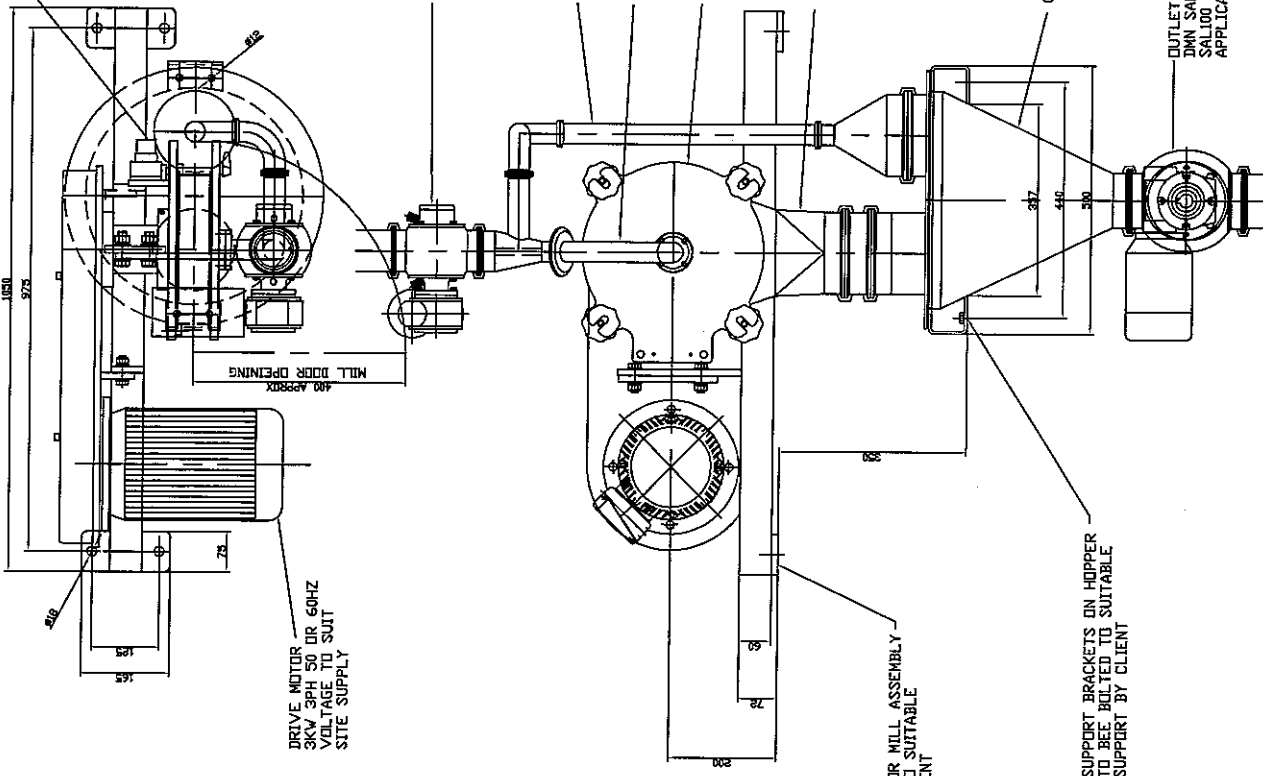
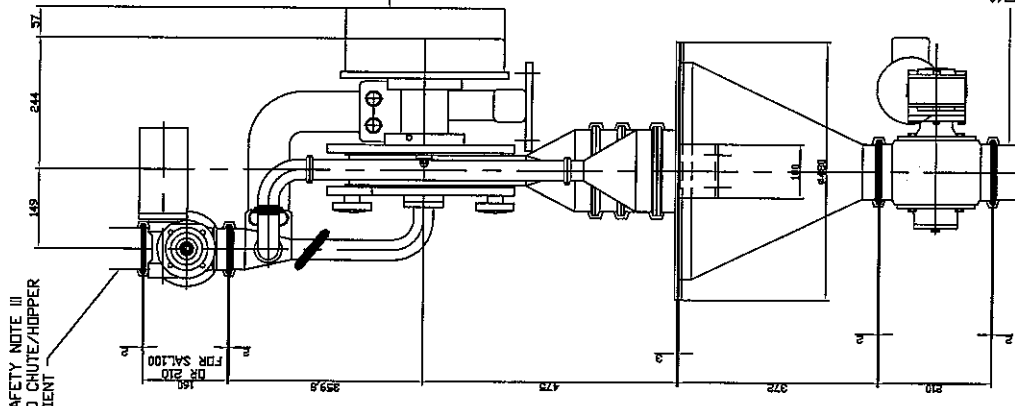


DO NOT SCALE DRAWING - IF IN DOUBT ASK



MILL DOOR KEY OPERATED PANEL INTERLOCK C/V KEY OPERATED 4 POLE ROTARY ISOLATOR SWITCH AND TIME DELAY UNIT (BOTH NOT SHOWN) FOR MOUNTING BY CLIENT EITHER IN CONTROL PANEL (BY OTHERS) OR ON SUITABLE WALL BY CLIENT

NOTE: INTERLOCK ROTARY SWITCH MUST BE WIRED INTO MOTOR CONTROL CIRCUIT TO PREVENT OPERATION WHEN KEY IS REMOVED FROM SWITCH



SAFETY NOTE: CLIENT MUST PROVIDE SUITABLE SAFETY FEATURES SUCH AS GRILLES OR BOLLER OR INTERLOCKED CONNECTION CHUTES/HOPPERS TO THE INFEED AND OUTLET ROTARY VALVES TO PREVENT ACCESS TO DANGEROUS ROTATING PARTS OF THE VALVES IN LINE TO RELEVANT LOCAL LAWS/REGULATIONS

DRIVE MOTOR 3KW 3PH 50 DR 60HZ VOLTAGE TO SUIT SITE SUPPLY

INFEED ROTARY VALVE DIMS SHOWN OR SALL100 DEPENDING UPON APPLICATION

OUTLET ROTARY VALVE DIMS SHOWN OR SALL100 DEPENDING UPON APPLICATION

SUPPORT RAIL FOR MILL ASSEMBLY TO BE BOLTED TO SUITABLE SUPPORT BY CLIENT

SUPPORT BRACKETS ON HOPPER TO BE BOLTED TO SUITABLE SUPPORT BY CLIENT

THIS DRAWING IS THE PROPERTY OF KEMITEC POWDER TECHNOLOGIES LTD AND MUST NOT BE COPIED OR SHOWN TO A THIRD PARTY WITHOUT THE WRITTEN CONSENT OF THIS COMPANY.

DRAWING SPECIFICATIONS
UNLESS OTHERWISE STATED
Screw threads to BS2443
ISO Metric Coarse Pitch Series (Medium Fit)
Surface Finish to BS134 in micrometres
Welding Symbols to BS499 Part 2
Dimension & Geometrical Tolerances to BS208
Units & Fit to BS4600
Remove all sharp edges and burrs

TOLERANCE SPECIFICATIONS
UNLESS OTHERWISE STATED
SHEET METAL DIMENSIONS
300 to 1000 ± 2.00
Ovr 1000 ± 3.00
ANGULAR DIMENSIONS
± 10°/30°
MACHINED DIMENSIONS
0 to 100 ± 0.20
Ovr 100 ± 0.50

ALL DIMENSIONS IN MILLIMETRES
THIRD ANGLE PROJECTION
For all material, weld and finish specifications refer to purchase/works order unless stated otherwise

Kemitec Powder Technologies Ltd
PO Box 3000, The Mill, Mill Lane, Boreham, Essex, SSO 6JH, UK
Tel: +44 (0)1708 810000
Fax: +44 (0)1708 810001
Email: sales@kemitec.co.uk

DESIGNED BY: J.P. Bayley
CHECKED BY:
APPROVED BY:
SCALE: 1:5
DATE: 11/07/03

TITLE: 5H MILL ARRANGEMENT CLOSED LOOP C/W HOPPER
Dwg No: A1 DS530