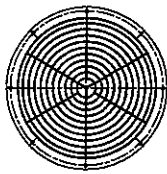
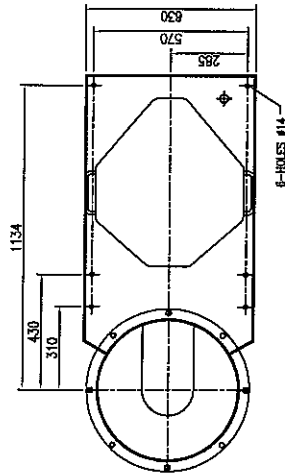


DO NOT SCALE DRAWING - IF IN DOUBT ASK

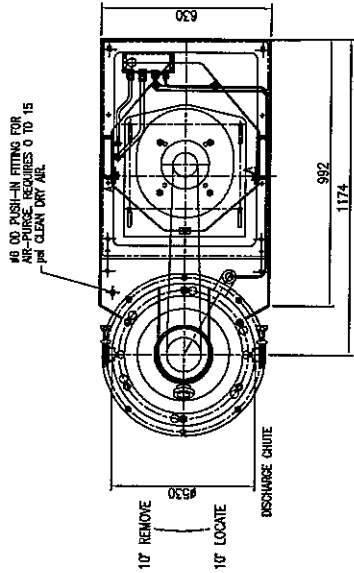


GRILLE : VIEW ON ARROW A

GRILLE OPENING SIZE:
SEE EN 294/BS5304
SAFETY REGULATIONS:
SEE BS EN 294/BS5304: 1986).



VIEW ON UNDERLINE/ANCHORING HOLE LOCATIONS



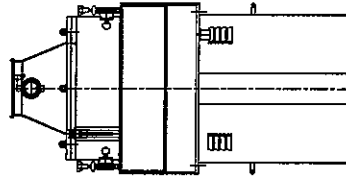
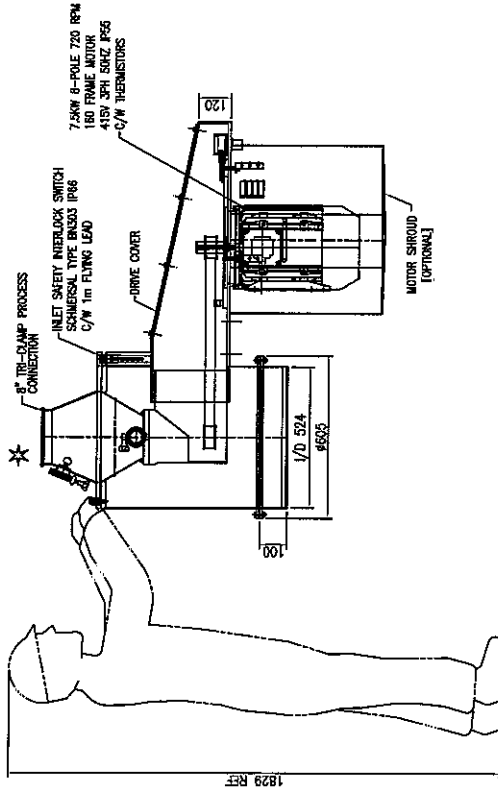
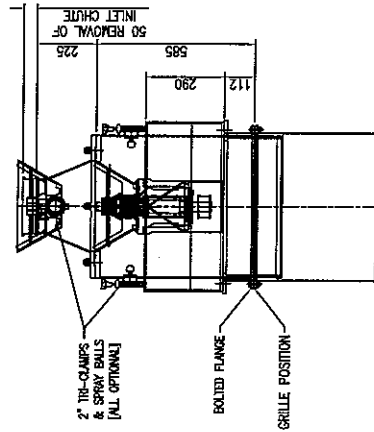
#6 OD PUSH-IN FITTING FOR AIR-PURGE. REQUIRES 0 TO 15 PSI CLIENT DIRT AIR.

★

NOTE
WHEN SAFETY GRILLS ARE NOT FITTED BY KEMUTEC INLET AND OUTLET CONNECTION MUST BE SUITABLY GUARDED BY CLIENT TO PREVENT OPERATOR ACCESS TO ROTATING/MOVING PARTS IN LINE WITH RELEVANT SAFETY REGULATIONS (SEE BS EN 294/BS5304:1986).

NOTE
WHEN THE CONTROL PANEL IS NOT SUPPLIED BY KEMUTEC SAFETY INTERLOCKS MUST BE WIRED INTO MOTOR CONTROL CIRCUIT (BY CLIENT) TO PREVENT THE MOTOR RUNNING, OR DE-ENERGISE MOTOR IF ALREADY RUNNING, SHOULD THE INTERLOCKS BE ACTUATED BY OPENING OF THE HOPPER LID OR HOPPER REMOVAL OR OTHER

WEIGHT APPROX. 320kg
AIR CONSUMPTION 5 TO 20 L/MIN
SPEED SENSOR REQUIRES TO 30V DC (RS 248-2316)
RUNNING SPEED = 500rpm @ 50Hz



DESIGN BASED ON DWG. No. 327250011

THIS DRAWING IS THE PROPERTY OF KEMUTEC POWDER TECHNOLOGIES LTD AND MUST NOT BE COPIED OR SHOWN TO A THIRD PARTY WITHOUT THE WRITTEN CONSENT OF THIS COMPANY. ©

mc:mcms

DRAWING SPECIFICATIONS

UNLESS OTHERWISE STATED
Screw threads to BS5463
ISO Metric Coarse Pitch Series (Medium Fit)
Surface Finish to BS1334 in micrometres
Welding Symbols to BS499 Part 2
Dimension & Geometrical Tolerances to BS308
Limits & Fits to BS4500
Remove all sharp edges and burrs

TOLERANCE SPECIFICATIONS

UNLESS OTHERWISE STATED
SHEET METAL DIMENSIONS
0 to 100 ± 0.30
100 to 1000 ± 1.00
Over 1000 ± 3.00
ANGULAR DIMENSIONS
± 0°-50'

TOLERANCE SPECIFICATIONS

UNLESS OTHERWISE STATED
MACHINED DIMENSIONS
0 to 100 ± 0.30
100 to 1000 ± 1.00
Over 1000 ± 3.00
UNMACHINED DIMENSIONS
0 to 100 ± 0.50
Over 100 ± 1.50

ALL DIMENSIONS IN MILLIMETRES

THIRD ANGLE PROJECTION
For all material, weld and other finish specifications refer to purchase/works unless stated otherwise

	DRAWN BY G. J. Suf
	CHECKED BY
TITLE 340UB CONE MILL BASIC STANDARD	APPROVED BY
DWG No. A1 DS519	SCALE 1:10
ISSUE A	DATE 20/03/02