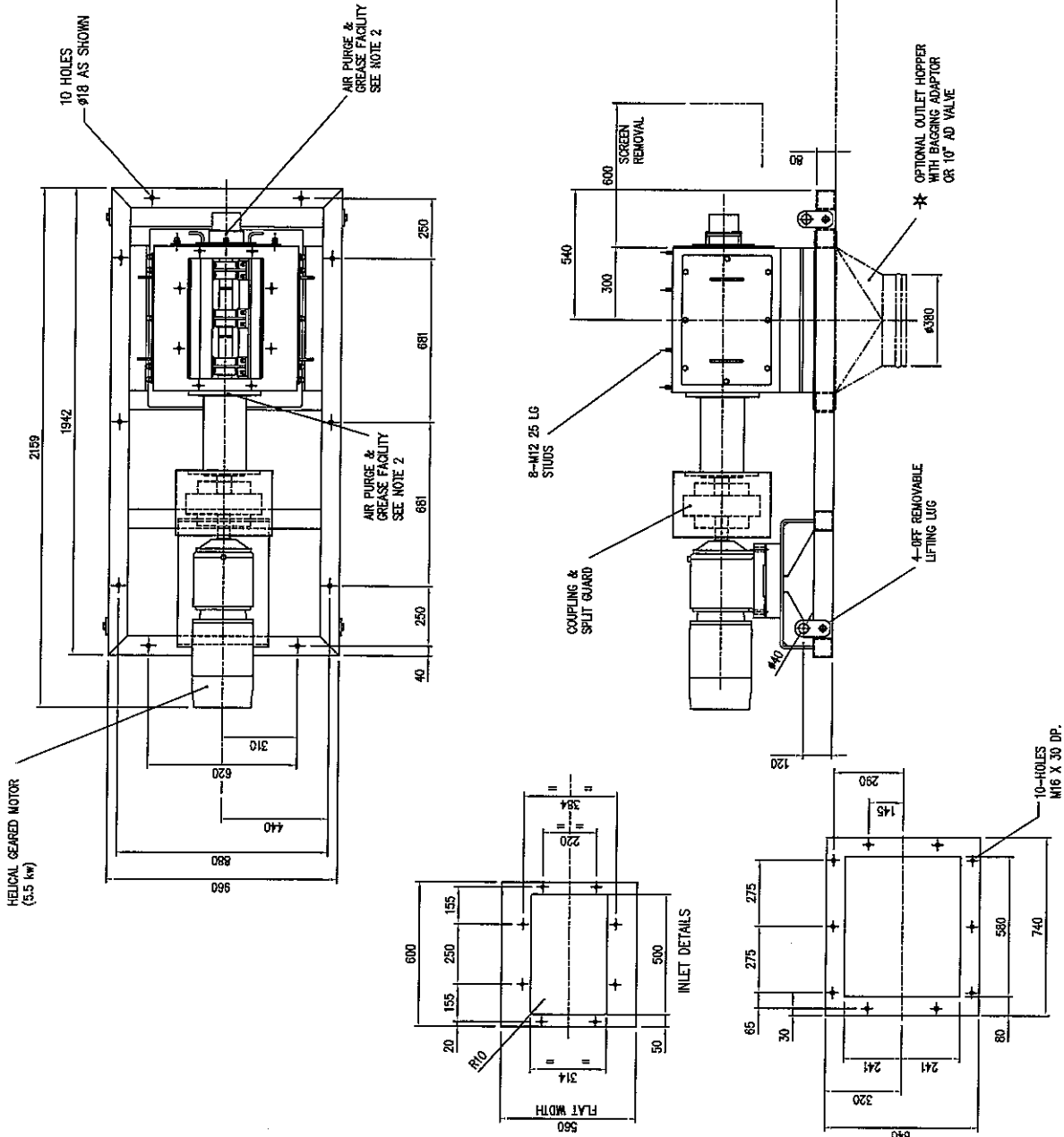


DO NOT SCALE DRAWING - IF IN DOUBT ASK

- NOTES:
- i. * INLET / OUTLET CONNECTION MUST BE SUITABLY GUARDED BY CLIENT TO PREVENT OPERATOR ACCESS TO ROTATING PARTS IN LINE WITH RELEVANT SAFETY REGULATIONS (SEE BS EN 294/BS5304:1988).
 2. * 60 PUSH-IN TUBE BULKHEAD CONNECTOR FOR SEAL PURGE REQUIRES REGULATED SUPPLY OF CLEAN-DRY AIR/GAS(WATER) AT 0 TO 15 psig (0 TO 1 bar) 0.17 TO 0.7 cu.ft./min.(5 TO 20 lt./min.)
 3. NET WEIGHT EXCLUDING HOPPERS 518 kg
 4. REFER TO KEMUTEC QUOTATION FOR SCOPE OF SUPPLY



<p>THIS DRAWING IS THE PROPERTY OF KEMUTEC POWDER TECHNOLOGIES LTD AND MUST NOT BE COPIED OR SHOWN TO A THIRD PARTY WITHOUT THE WRITTEN CONSENT OF THIS COMPANY. ©</p> <p>NOTED</p>	<p>DRAWING SPECIFICATIONS UNLESS OTHERWISE STATED</p> <p>Screw threads to BS3643 ISO Metric Coarse Pitch Series (Medium Fit) Surface Finish to BS1134 to micrometres Welding Symbols to BS499 Part 2 Dimension & Geometrical Tolerances to BS308 Units & Fits to BS4500 Remove all sharp edges and burrs</p>		<p>TOLERANCE SPECIFICATIONS UNLESS OTHERWISE STATED</p> <p>SHEET METAL DIMENSIONS 0 to 300 ± 0.20 300 to 1000 ± 0.30 Over 1000 ± 0.50</p> <p>MACHINED DIMENSIONS 0 to 100 ± 0.20 Over 100 ± 0.30</p> <p>UNMACHINED DIMENSIONS 0 to 300 ± 0.50 Over 300 ± 1.00</p>		<p>ALL DIMENSIONS IN MILLIMETRES</p> <p>THIRD ANGLE PROJECTION</p> <p>For all material, weld and finish specifications refer to purchase/works order unless stated otherwise</p>	
	<p>DM 740 WAS 760 DM 2159 WAS 2177 DM 30 WAS 30 LIFTING LUGS ADDED</p>	<p>DM 2159 WAS 2177 DM 30 WAS 30 LIFTING LUGS ADDED</p>	<p>DM 740 WAS 760 DM 2159 WAS 2177 DM 30 WAS 30 LIFTING LUGS ADDED</p>	<p>DM 740 WAS 760 DM 2159 WAS 2177 DM 30 WAS 30 LIFTING LUGS ADDED</p>	<p>DM 740 WAS 760 DM 2159 WAS 2177 DM 30 WAS 30 LIFTING LUGS ADDED</p>	<p>DM 740 WAS 760 DM 2159 WAS 2177 DM 30 WAS 30 LIFTING LUGS ADDED</p>
<p>THIS DRAWING IS THE PROPERTY OF KEMUTEC POWDER TECHNOLOGIES LTD AND MUST NOT BE COPIED OR SHOWN TO A THIRD PARTY WITHOUT THE WRITTEN CONSENT OF THIS COMPANY. ©</p>		<p>UNLESS OTHERWISE STATED</p>		<p>UNLESS OTHERWISE STATED</p>		
<p>UNLESS OTHERWISE STATED</p>		<p>UNLESS OTHERWISE STATED</p>		<p>UNLESS OTHERWISE STATED</p>		
<p>UNLESS OTHERWISE STATED</p>		<p>UNLESS OTHERWISE STATED</p>		<p>UNLESS OTHERWISE STATED</p>		

KEMUTEC Powder Technologies

M305 KIBBLER
 BOLTED DOORS (BASE)

DRAWING NO: A1
 DATE: 30/09/96

APPROVED BY: [Signature]
 CHECKED BY: [Signature]
 SCALE: 1:10
 DATE: 30/09/96