



Rotalog
Level Indicator

Rotalog
Level Indicator

Rotalog
Level Indicator



mucon

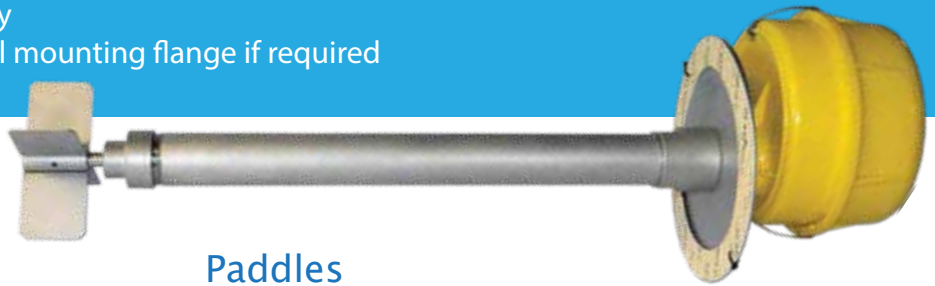
Overview and Specifications

The Mucon ROTALOG Rotary Paddle Level Indicator is designed to signal the presence or absence of bulk materials such as powders, chips, granules and pellets.

Mucon ROTALOG Level Indicators can be installed in hoppers, silos, bunkers as well as in blockage detectors on conveyor chutes. If material impedes the rotation of the paddle, the control signal changes and the motor circuit switches off. In this state all active parts are stationary; therefore no wear takes place and the operator can quickly determine whether there is a discharge problem.

Main Features & Benefits

- Proven reliability over many years and in thousands of installations
- Superior shaft sealing
- Special models suitable for operating up to 200°C
- Adjustable sensitivity
- Failsafe option available
- Low power consumption. When stalled by the presence of product, no power is consumed, therefore increasing product longevity
- Supplied complete with stainless steel mounting flange if required



Housing

A dust tight and weatherproof enclosure to IP65 molded in ABS Plastic.

Electrical Circuit

There are two types of circuit: standard and electrical failsafe. The control switch is of the single pole changeover type rated at 1250 V.A. 5 amps maximum current flow resistive.

The motor circuit supply voltages can either be 24v, 48v, 110–115v 50/60 Hz, with a power consumption of less than 9 watts. Local neon lights can be included in the Head Unit if required.

Additional features in the Failsafe circuit include:

- Automatic changeover of the control switch upon motor circuit failure.
- 'Operational' output to continuously monitor the state of the motor circuit.
- 'Failure' output to provide a signal if the motor circuit breaks.

These three signals are provided by a relay.

Paddles

The paddles are stainless steel. Paddle type is selected to suit product characteristics.

Mounting Flange

This is 1.2mm x Ø203mm stainless steel with 6 holes, Ø7.2mm equally-spaced on 178mm P.C.D.

Shaft

The paddle shaft on models 2 and 4 are fitted to the main shaft of the control unit by a custom flexible coupling.

Guide Tube

Guide tubes are fitted to top mounted units to support the extension shaft without impeding the free rotation of the paddles.

Contact Parts

Metallic contact parts on all models are stainless steel as standard.

Temperature Range

The unit operates in an ambient temperature range of -10°C to +50°C. Custom built high temperature units can be supplied.

Model Choice

High Level (Model 4)

The Two or Four vane paddle unit can be top or side mounted. (Shaft length to required product material level)

High Level (Model 2)

Side Mounted Two or Four vane paddle units are generally used to provide level indication for light density materials. A flexible rubber coupling is utilized for maximum sensitivity. (Nominal shaft length 140mm)

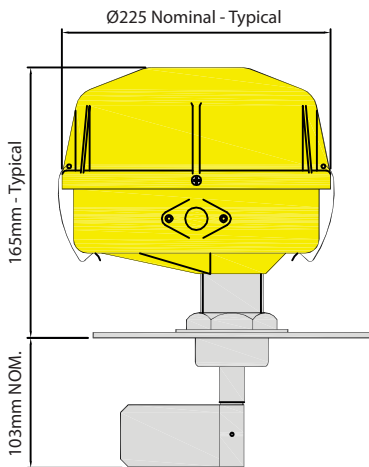
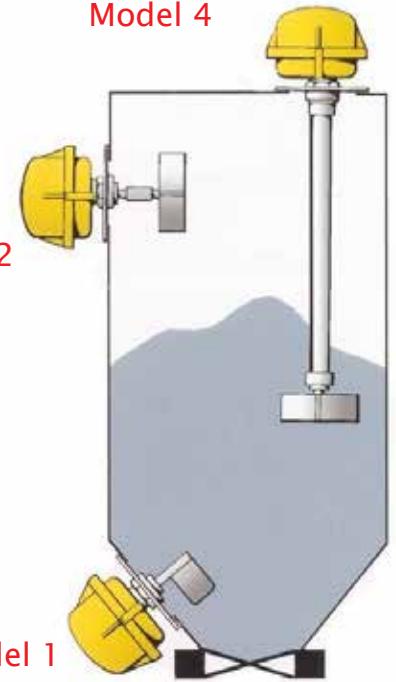
Low Level (Model 1)

The Single vane paddle unit is side mounted and is particularly suitable for poor flowing or high density products. (Nominal shaft length 103mm)

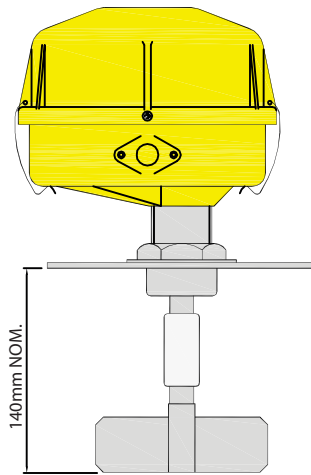
Model 4

Model 2

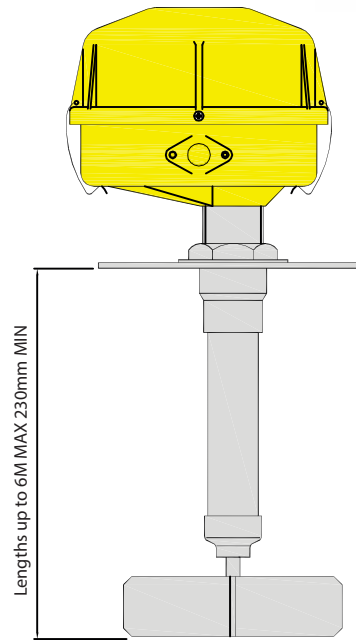
Model 1



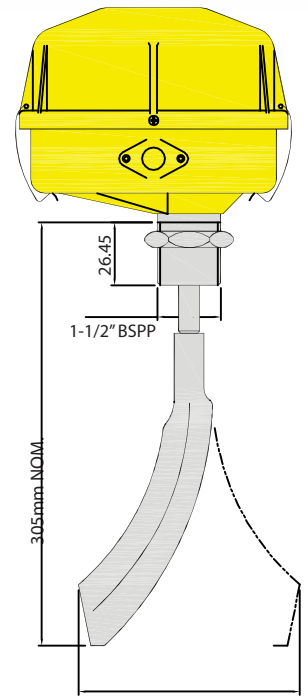
Model 1



Model 2



Model 4
Shaft Length To Suit



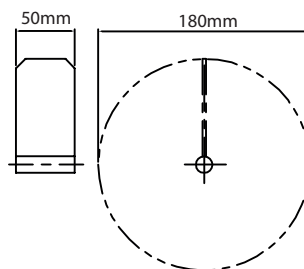
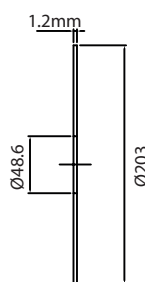
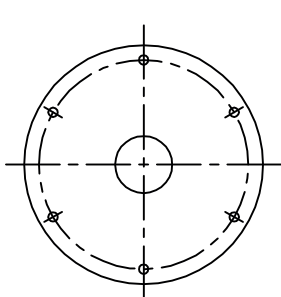
Ø160 SWEEP
Scimitar Assembly
(For use in Model 1 position only)

Baffle plates are required above side mounted units for heavy materials or where bridging, arching, material surges or other detrimental flow characteristics are likely to occur.

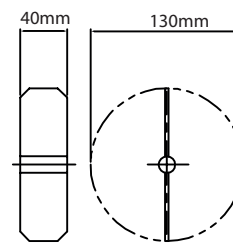
Unless stated, all dimensions are in mm.

Mounting Plate

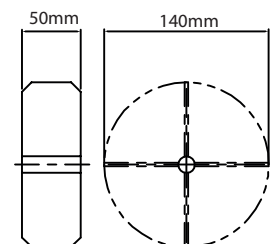
The mounting plates (with suitable gaskets) are supplied in stainless steel. I.D. of mating flange 150mm to ensure vanes can pass through.



Single Vane



Two Vane



Four Vane

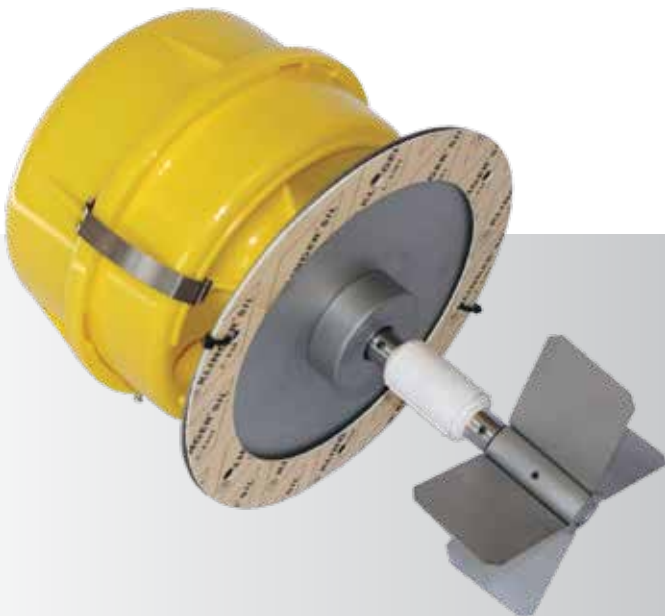
Note:
On Model 4 Rotalog mounting plate thickness is increased to 2.6mm

How to Order

The following information will be required when ordering:

- Model number
- Motor voltage and frequency
- Electrical circuit 'standard' or 'failsafe'
- Length of extension shaft
- Paddle type
- Location of the unit (supply sketch)
- High or low level
- Confirm material being detected
- Material size (micron, mesh or inches)
- Material bulk density
- Temperatures – Maximum in vessel. Maximum outside vessel
- If vessel is pressurised, state the maximum pressure / vacuum
- How will the Level Indicator be used inconjuntion with the control system?
- Do you require local neon indicators to be fitted?

If you have any questions, please contact our sales team at 215-788-8013



Kemutec
130 Wharton Road
Bristol, PA 19007
USA

215 788-8013
Fax: 215 785 5171

Sales@MuconUSA.Com
www.MuconUSA.com